

**Keetronics 16 keys Vandal proof Zinc Alloy Keypad :**

Robust, attack resistant keypads for use in the most exposed and hostile public environments.

Designed and constructed to ensure rapid and reliable data entry in most challenging applications.

Ideal use in a wide range of industrial, commercial and public application.

**Keetronics Vandal Resistant Keypads**



*Robust, attack resistant keypads for use in the most exposed and hostile public environments.*

**Product Description**

**Quick Details:**

1. 16 Keys Vandal proof zinc alloy 4 \*4 matrix, Industrial keypad with industrial PCB electronics.
2. Our keys and frames are made of high quality zinc alloy, which is highly rugged, vandal-proof, against corrosion, weather-proof.
3. Carbon-on-gold key switch technology with extremely good tactile feeling for fast and accurate data input.
4. Conductive rubber made of natural silicone, corrosion resistance, aging resistance.
5. Ease of installation and maintenance.

**Special Features:**

1. Specially designed keyboards meet the highest demands with regard to design, functionality, longevity and high protection level.
2. This keypad with willful destruction, vandal-proof, against corrosion, weather-proof especially under extreme climatic conditions, water proof/dirt proof, operation under hostile environments.



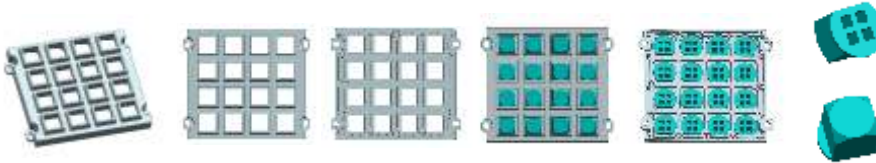
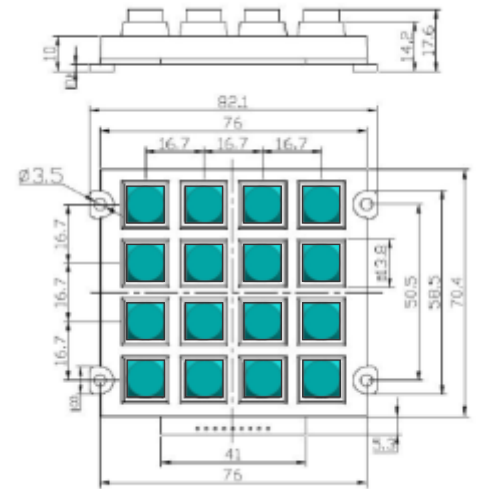
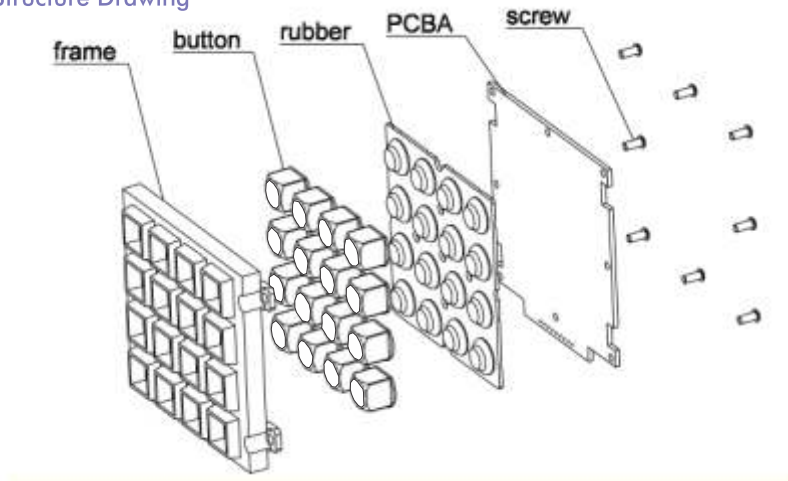
# Keetronics

## 1000 Series vandal resistant keypads

A series of attack resistant keypads for use in the most hostile public environments. Designed and constructed to ensure rapid and reliable data entry in the most challenging applications, the Keetronics 1000 Series keypads are field proven and lab tested to survive hard use, abuse and vandalism. Ideal for use in a wide range of industrial, commercial and public applications.



### Structure Drawing



## Specifications:

### MECHANICAL DATA

Keys	16 keys
Switching material	carbon-on-Gold key switch technology PCB
Actuation Force	200 grams
Frame/keys materials	Zinc alloy
Dimensions	70.4mm *82.1mm *17.6 mm
Key Size	10.0mm *10.0mm
Rubber life	more than 2000000 cycles per key
Stroke	1.5 mm

### ELECTRICAL DATA

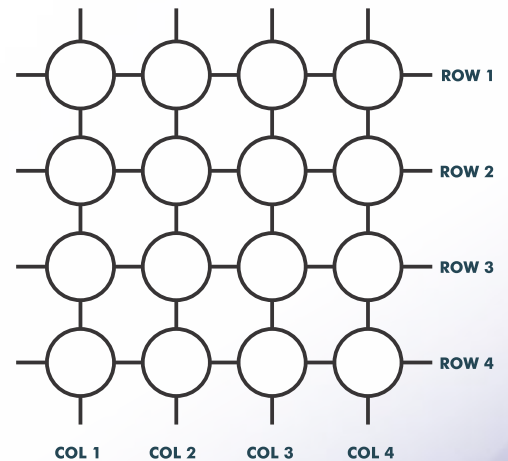
Contact resistance	≤100Ω
Interface	8 pin Male pin out connector

### ENVIRONMENTAL ADAPTABILITY

Operating temperature	-25°C to +75°C
Storage temperature	-40°C to +85°C
Water / Dust sealed	IP65( when front panel mounted to suitable enclosure )

### RELIABILITY

Protection Level	Ip65 (when front panel mounted to suitable enclosure)
Vandal Resistant	IK09



OUT PUT ARRANGEMENT	
OUT PUT PIN NO	SYMBOL
1	ROW 2
2	ROW 3
3	COL 1
4	ROW 4
5	COL 2
6	COL 3
7	COL 4
8	ROW 1

